



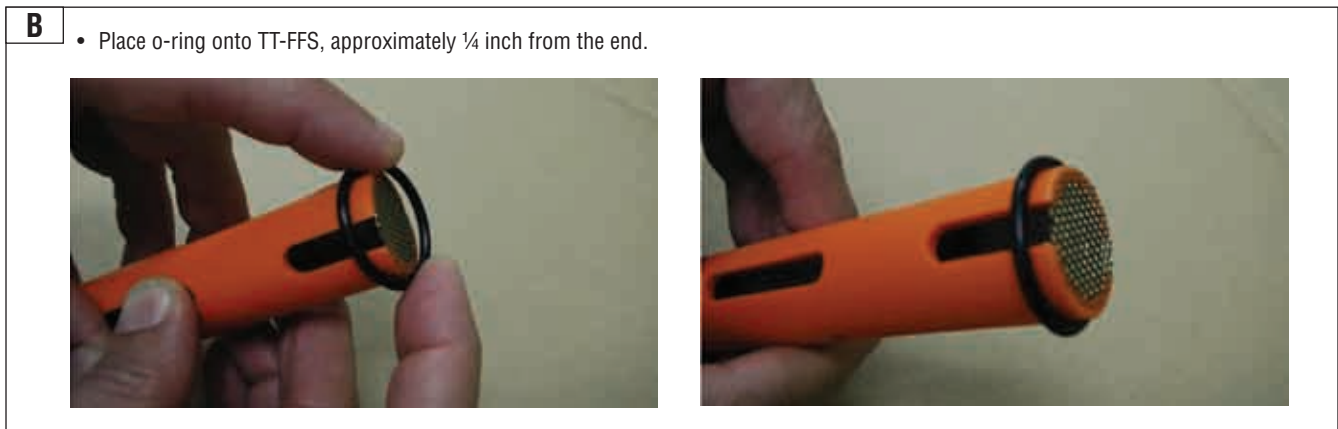
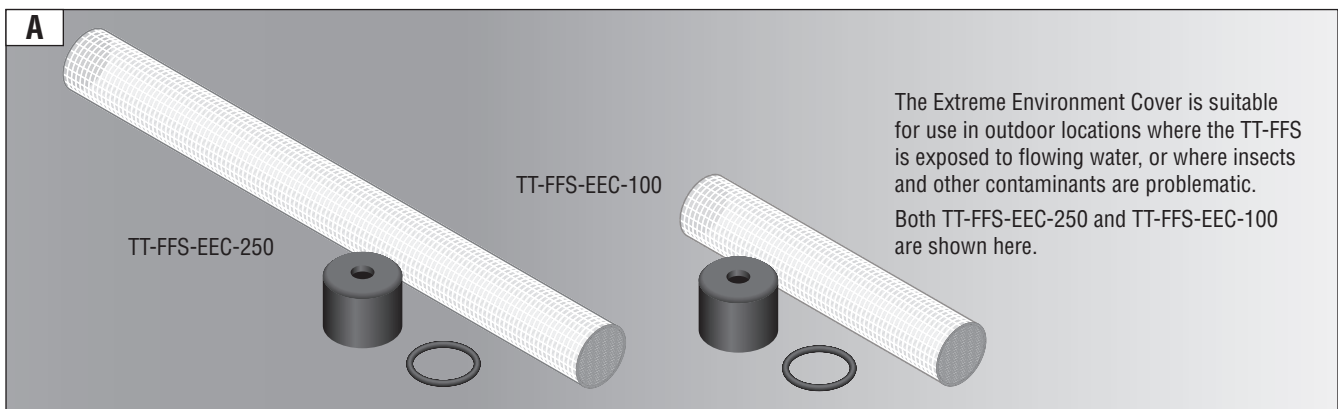
TT-FFS Extreme Environment Cover

Installation Instructions/Data Sheet

Description

TT-FFS-EEC (Extreme Environment Cover) is a kit of parts designed to provide additional protection for TT-FFS Fast Fuel Sensors when harsh conditions warrant extra protection. The outer tube is porous but rigid. Lightweight fuels such as gasoline and diesel fuel flow through the protective mesh tube with little or no impact on TT-FFS response time. The flow of heavy crude oil or other heavy fuel oils may be restricted by the outer tube in which case TT-FFS-EEC may not be appropriate for these liquids.

For technical support, call Tyco Thermal Controls at (800) 545-6258.



D

- Push TT-FFS connector or lead wire end through hole in black plastic cap.
- Slide cap down cable and press onto the clear mesh tube end.
- Press the cap onto the clear mesh tube as far as possible. It will be a snug fit.



Note: The EEC should be inspected monthly for blockage. If the mesh tube becomes contaminated with dirt or debris, it could prevent a leak from being detected rapidly. To clean the EEC, remove the cap, carefully remove the TT-FFS, and wash the EEC in water or IPA (Do not remove screen!). TT-FFS cleaning (if necessary) is a separate operation, please refer to *TT-FFS Care and Cleaning Instructions* (H58307).

Tyco and TraceTek are trademarks of Tyco Thermal Controls LLC or its affiliates.

Worldwide Headquarters
Tyco Thermal Controls
 307 Constitution Drive
 Menlo Park, CA 94025-1164
 USA
 Tel: (800) 545-6258
 Tel: (650) 216-1526
 Fax: (800) 527-5703
 Fax: (650) 474-7215
 info@tracetek.com
 www.tracetek.com

Canada
Tyco Thermal Controls
 250 West St.
 Trenton, Ontario
 Canada K8V 5S2
 Tel (800) 545-6258
 Fax (800) 527-5703

Important: All information, including illustrations, is believed to be reliable. Users, however, should independently evaluate the suitability of each product for their particular application. Tyco Thermal Controls makes no warranties as to the accuracy or completeness of the information, and disclaims any liability regarding its use. Tyco Thermal Controls' only obligations are those in the Tyco Thermal Controls Standard Terms and Conditions of Sale for this product, and in no case will Tyco Thermal Controls or its distributors be liable for any incidental, indirect, or consequential damages arising from the sale, resale, use, or misuse of the product. Specifications are subject to change without notice. In addition, Tyco Thermal Controls reserves the right to make changes—without notification to Buyer—to processing or materials that do not affect compliance with any applicable specification.