



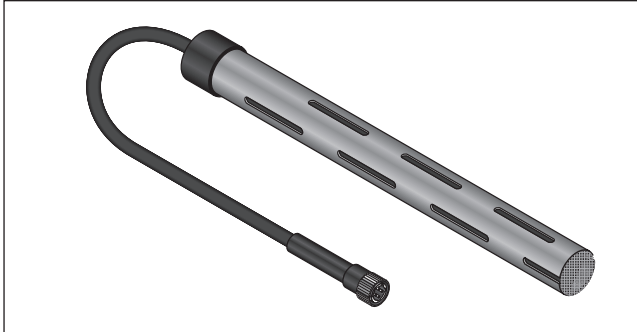
TT-FFS Fast Fuel Detection Probe

Care and Cleaning Instructions

Description

Use these instructions when a TraceTek® TT-FFS probe has been exposed to dirt, mud, sand and after leak detection events with heavier fuels such as jet fuel, diesel, or fuel oil.

For technical support, call Tyco Thermal Controls at (800) 545-6258.



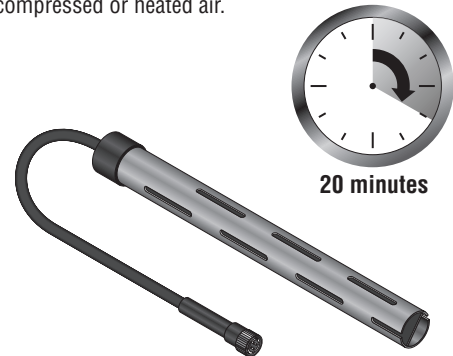
1

- Do not remove the protective mesh screen.
- Place sensor in several inches of water and let soak for 15 minutes. Make sure connector stays high and dry.
- DO NOT SHAKE OR STIR!



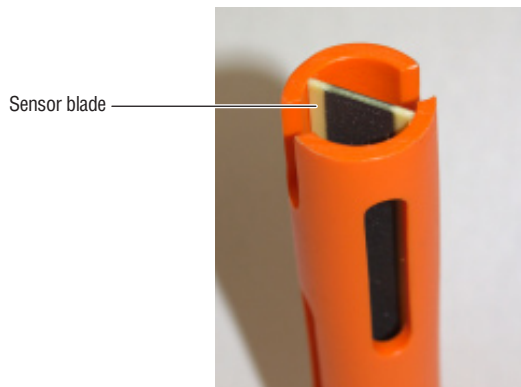
2

- After soaking in water, let dry in air for 15 to 20 minutes.
- Do not use compressed or heated air.



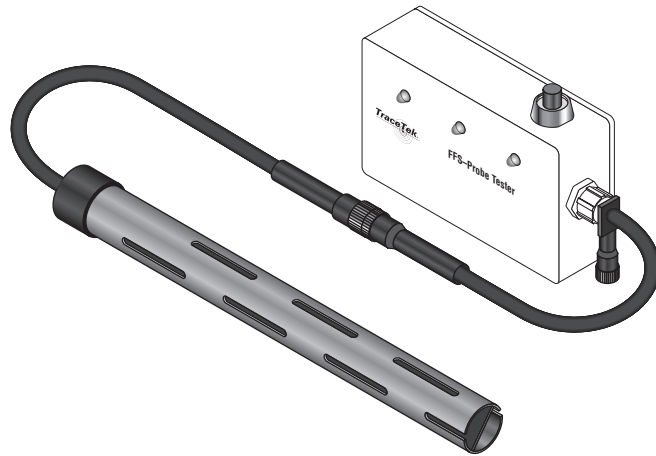
3

- Visually inspect the sensor blade but do not touch it! A sensor blade in good condition will have a uniform gray or black coating like the photo on the left. A sensor with a scratched or damaged film like that in the right picture will need to be replaced. (Note: Protective screen has been removed for clarity in these photos)



4

- Use the FFS Probe Tester to test the sensor.
GOOD SENSOR: no LEDs when the FFS is first connected, flashing LEDs when test button is pushed.
BAD SENSOR: LEDs flash immediately once FFS is connected.



Cleaning with isopropyl alcohol

If the sensor blade looks good, but still tests bad, it may be contaminated with a heavy fuel or oily material. Isopropyl alcohol can be used to dilute the contamination and speed reset. Isopropyl alcohol will not repair a sensor that has sustained physical damage.

- Place sufficient isopropyl alcohol in a small container and soak the full length of the sensor for 10 minutes.
- Do not shake or stir. The sensor film is extremely fragile when soaking in isopropyl alcohol. The idea is to dilute any heavy oil without damaging the thin sensor film.
- After soaking in isopropyl alcohol, let dry in the air for 1 hour.
- Repeat the process if necessary.
- If the sensor fails to reset after 3 isopropyl alcohol soaking and 1 hour of air drying time, it should be discarded and replaced.



Tyco and TraceTek are trademarks of Tyco Thermal Controls LLC or its affiliates.

Worldwide Headquarters
Tyco Thermal Controls
 307 Constitution Drive
 Menlo Park, CA 94025-1164
 USA
 Tel: (800) 545-6258
 Tel: (650) 216-1526
 Fax: (800) 527-5703
 Fax: (650) 474-7711
 info@tycothermal.com
 www.tycothermal.com

Canada
Tyco Thermal Controls
 250 West St.
 Trenton, Ontario
 Canada K8V 5S2
 Tel (800) 545-6258
 Fax (800) 527-5703

Important: All information, including illustrations, is believed to be reliable. Users, however, should independently evaluate the suitability of each product for their particular application. Tyco Thermal Controls makes no warranties as to the accuracy or completeness of the information, and disclaims any liability regarding its use. Tyco Thermal Controls' only obligations are those in the Tyco Thermal Controls Standard Terms and Conditions of Sale for this product, and in no case will Tyco Thermal Controls or its distributors be liable for any incidental, indirect, or consequential damages arising from the sale, resale, use, or misuse of the product. Specifications are subject to change without notice. In addition, Tyco Thermal Controls reserves the right to make changes—without notification to Buyer—to processing or materials that do not affect compliance with any applicable specification.