

# Aquitron

## AT-PROBE-TS/M

Water Detection Probe



### INSTALLATION INSTRUCTIONS



**aquilar**  
leak detection solutions

# AT-PROBE-TS/M

## Water Detection Probe

Please read these instructions carefully and keep them in a safe place for future reference. These instructions must be followed carefully to ensure proper operation.

### A. GENERAL INFORMATION

The water detection probe has been specifically designed for use with TraceTek and AquiTron™ leak detection systems. The AT-PROBE-TS is designed for use in ordinary areas with temperatures of 0°C to 50°C (32°F to 122°F).

#### TOOLS REQUIRED

Phillips (cross-head) screwdriver  
Small flat-head screwdriver (for the TS version, no tools required for the M version)

#### ZONES OR REGIONS

When used on the TraceTek TTDM or TTSIM alarm & locator panel, probes have built in resistors [weighted lengths] equal to 8 mtrs for the first probe and 16 mtrs for each

subsequent probe. If probes are used alone on a circuit without sensing cable the “zones” setting can be used on the panels.

#### STORAGE

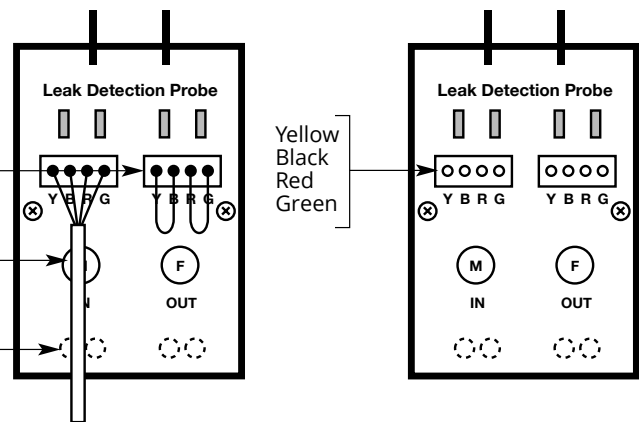
Keep the module in a dry place prior to installation to avoid possible damage to internal components.

### SINGLE PROBE-TS

End of line connection **MUST BE FITTED IN LAST PROBE ON CIRCUIT**

Connect to TraceTek / AquiTron Leak detection panel

Attach cable tie provided to jumper cable at this position for strain relief



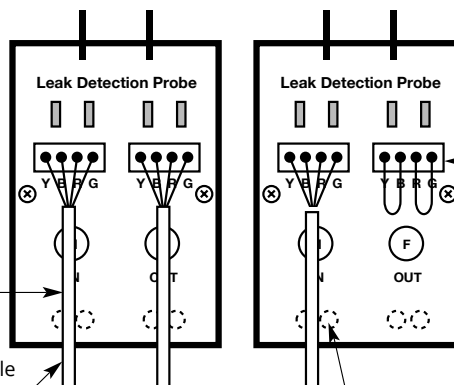
### MULTIPLE PROBES-TS

Connect to TraceTek / AquiTron Leak detection panel

Bulk jumper cable

End of line connection (Remove for future extension)

Attach cable ties provided to the jumper cable at this position for strain relief



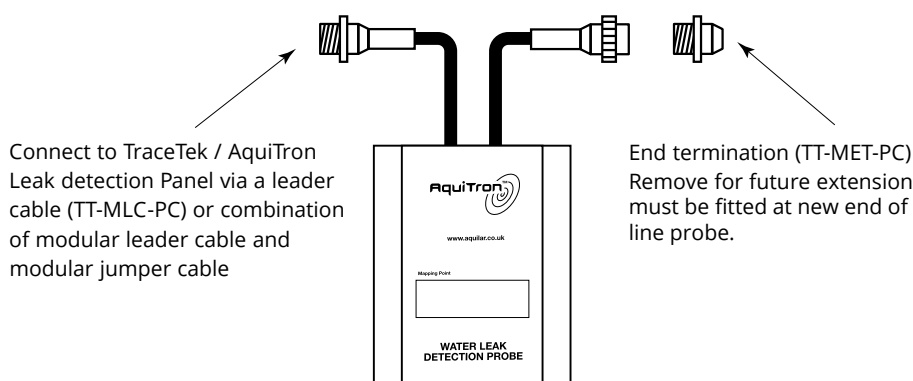
## AT-PROBE-TS Water Detection Probe

### WIRING / CONNECTION NOTES

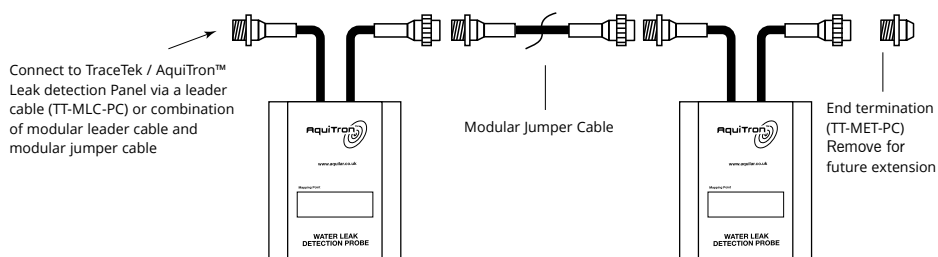
Match colour coding in sequence through the chain of probes:

- Y - Yellow
- B - Black
- R - Red
- G - Green

### SINGLE PROBE-M



### MULTIPLE PROBES-M



**Important:** All information, including illustrations, is believed to be reliable. Users, however, should independently evaluate the suitability of each product for their application. Aquilar Limited makes no warranty as to the accuracy or completeness of the information, and disclaims any liability regarding its use. The only obligations of Aquilar Limited are those in the Aquilar Standard Terms and Conditions of Sale for this product, and in no case will Aquilar Limited be liable for any incidental, indirect, or consequential damages arising from the sale, resale, use or misuse of the product. Specifications are subject to change without notice. In addition, Aquilar Limited reserves the right to make changes – without notification to Buyer – to processing or materials that do not affect compliance with any applicable specification.

*AquiTron is a trademark of AquiTron Limited  
Aquilar is a trademark of Aquilar Limited*