

GELSNAP Copper Closure, unpressurized, gel sealed, butt/in-line, for up to 10 pair splices

- Prevents water ingress by use of non-flowing gel under permanent compression
- Robust and reliable under a wide variety of environmental conditions
- Butt, in-line, and branch configurations with many connector types are possible

## Product Classification

<b>Product Type</b>	Gel filled closure
<b>Product Series</b>	GELSNAP
<b>Regional Availability</b>	EMEA

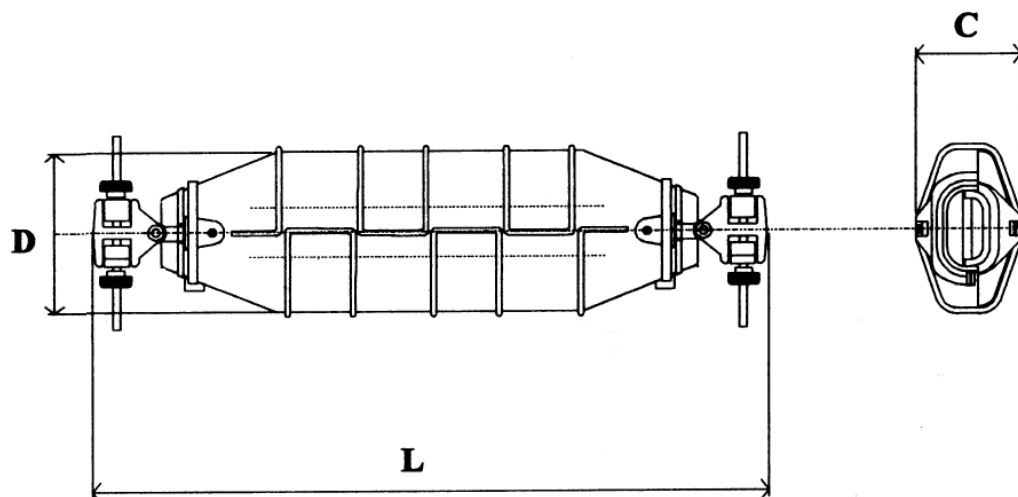
## General Specifications

<b>Color</b>	Black
<b>Package, quantity</b>	1
<b>Packaging Type</b>	Bag   Carton
<b>Single Cable Diameter, maximum</b>	14.00 mm   0.55 in
<b>Single Cable Diameter, minimum</b>	5.00 mm   0.20 in
<b>Splicing Capacity, maximum</b>	10

## Dimensions

<b>Height</b>	33.00 mm   1.30 in
<b>Length</b>	290.00 mm   11.42 in
<b>Sheet Opening, nominal</b>	130.00 mm   5.12 in
<b>Width</b>	80.00 mm   3.15 in

## Dimension Drawing



**Dimension Drawing**                      Used as an image placeholder

## Mechanical Specifications

**Cable Sealing Type**                      Gel filled  
**Closure Style**                              In-line | Single-ended

## Environmental Specifications

**Environmental Space**                      Aerial | Buried

## Regulatory Compliance/Certifications

**Agency**  
RoHS 2011/65/EU

**Classification**  
Compliant